

Panasonic

Closed Circuit Video Equipment

Super Dynamic II
Colour Surveillance Cameras
with Low-Light B/W Mode

WV-CP470 Series

Lens : optional



A NEW HIGH END COLOUR CAMERA WITH 24-HOUR SURVEILLANCE AND MULTIFUNCTION FEATURES.

Panasonic introduces the WV-CP470 Series cameras. Always on the job, these cameras automatically switch from colour, in daytime, to high sensitivity black and white at night. With full 24-hour surveillance capabilities, features include, motion detection and error free title displays.

With 480 lines of horizontal resolution, in colour mode, and 570 lines in black and white, the WV-CP470 Series defines high definition. It can operate in colour mode at 0.8 lx, using a F1.4 lens. In black and white mode sensitivity is an amazing 0.1 lx. Plus, its linear sensitivity can be electronically enhanced up to 32 times. With **Super Dynamic II** capabilities, the WV-CP470 Series make it possible to obtain clear images of subjects in extreme lighting conditions. A built-in alarm output terminal makes connection to an extreme sensor a snap.

Indoors, outdoors and under the toughest conditions, the WV-CP470 Series provides constant and reliable surveillance.

Key Features

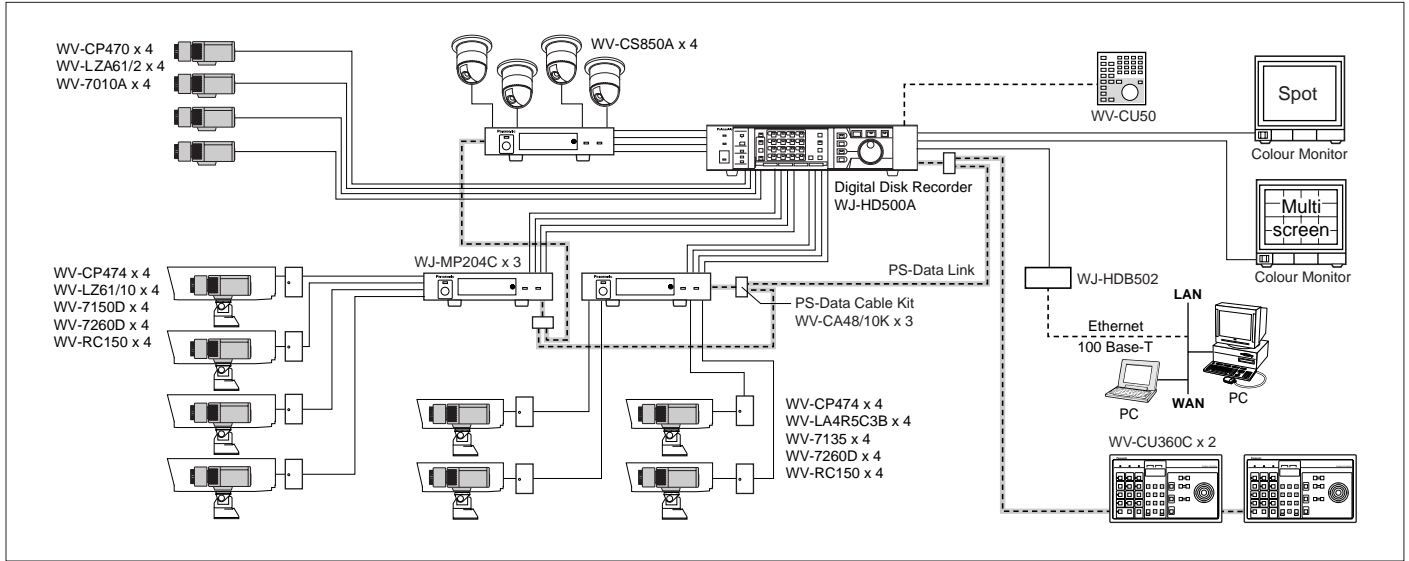
- 1/3-type double speed CCD colour image sensor.
- Switches from selected colour mode to B/W mode, automatically or manually.

- Built-in **Super Dynamic II** function has 80 times wider dynamic range when compared to a conventional camera.
- Super sensitivity of 0.8lx at F1.4 in colour mode, and 0.1lx at F1.4 in B/W mode.
- 480-line resolution in colour mode, and 570-line in B/W mode.
- Signal to noise ratio of 50dB.
- ELC function enables the use of fixed iris lens for indoor applications.
- Built-in Alarm output connector for external sensors.
- Built-in digital motion detector.
- Built-in 16 alphanumeric character display.
- Electronic shutter from 1/50 to 1/10,000 sec.
- Electronic sensitivity enhancement (Auto; up to 10x, Manual; up to 32x, and Off)
- Digital signal processing LSI's for high quality pictures: 2H vertical enhancement, chroma averaging circuit, minimum of aliasing, knee circuit, and highlight aperture correction.
- Gen-lock connector for the large system applications.
- VD2 sync capability with Panasonic system products.
- Accepts both AC 24V & DC 12V for WV-CP474 camera model.

WIDE VARIETY OF OPTIONAL LENSES

Auto Iris Lenses WV-LA2R8C3B WV-LA4R5C3B WV-LA9C3B	High-Speed Lenses WV-LA210C3 WV-LA408C3 WV-LA908C3	Zoom Lenses WV-LZ61/10 (x10) WV-LZ61/15 (x15)	Vari-focal Lenses WV-LZA61/2 WV-LZF61/2 WV-LZ62/2 WV-LZ62/8

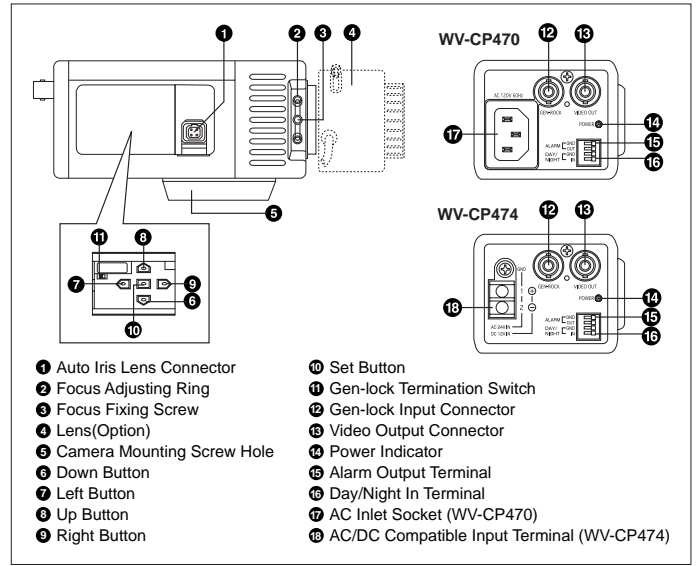
SYSTEM EXAMPLE



SPECIFICATIONS PAL CCIR

Model No.	WV-CP470	WV-CP474
Pick-up Device	753(H) x 582(V) pixels, Interline Transfer CCD	
Scanning Area	4.8(H) x 3.6(V) mm (Equivalent to scanning area of 1/3" pick-up tube)	
Scanning	625 lines/50 fields/25 frames Horizontal: 15.625 kHz Vertical: 50 Hz	
Synchronization	Internal, Line-locked, External (VS/VBS) or Multiplexed Vertical Drive (VD2) selectable	
Video Output	1.0V[p-p] PAL composite 75Ω/BNC connector	
Horizontal Resolution	480 lines (C/L), 570 lines (B/W)	
Signal-to-Noise Ratio	50dB (Equivalent to AGC Off, weight On)	
Dynamic Range	48dB	
Minimum Illumination	0.8 lx at F1.4 (C/L), 0.1 lx at F1.4 (B/W)	
Gain Control	ON (DNR-H), ON (DNR-L) or OFF (SET UP MENU) selectable	
White Balance	ATW1, ATW2 or AWC (SET UP MENU) selectable	
Aperture	Set Variable (SET UP MENU)	
Electronic Light Control	Equivalent to continuous variable shutter speeds between 1/50s and 1/10,000s	
Super Dynamic II	ON or OFF (SET UP MENU) selectable	
Electronic Shutter Speed	1/50(OFF), 1/120, 1/250, 1/500, 1/1,000, 1/2,000, 1/4,000, 1/10,000s selectable	
Lens Mount	CS-mount	
ALC Lens	DC or Video selectable	
Ambient Operating Temperature	-10°C ~ +50°C	
Ambient Operating Humidity	Less than 90%	
Power Source and Power Consumption	220V ~ 240V AC 50Hz, 5.1W	24V AC 50Hz, 4.5W 12V DC, 480mA
Dimensions	70(W) x 65(H) x 128(D) mm	
Weight (approx.)	460 g (without power cord) 450 g	

MAJOR OPERATING CONTROLS



OPTIONAL COMPONENTS

DIGITAL DISK RECORDERS

WJ-HD500A (with 16ch Multiplexer)
WJ-HD100



DIGITAL MULTIPLEXERS

WJ-FS616C (16ch) **WJ-FS416** (16ch)
WJ-FS216 (16ch) **WJ-FS409** (9ch)



MATRIX SYSTEM 500

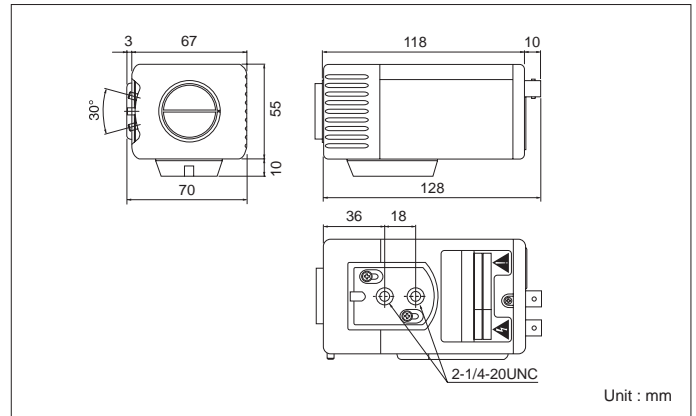


COLOUR MONITORS

WV-CM2080 55cm CRT
WV-CM1780 45cm CRT
WV-CM1480 40cm CRT
WV-CM1420 37cm CRT
WV-CM1020 25cm CRT



APPEARANCE



- Weights and dimensions are approximate.
- Specifications are subject to change without notice.
- These products may be subject to export control regulations.

DISTRIBUTED BY:

Panasonic

Panasonic is the brandname of Matsushita Electric.

Printed in Japan

WV-JKCP470T(2N-690)